

HFS-852

PRODUCT INFORMATION RF test probes

Grid:
 ≥ 3.9 mm (flange)
 ≥ 155 Mil
Installation height: 26.6 mm

INGUN Prüfmittelbau GmbH
 Max-Stromeyer-Straße 162
 78467 Konstanz | Deutschland
 Tel. +49 7531 8105-0
 www.ingun.com

Miniature HFS-852 for U.FL plug

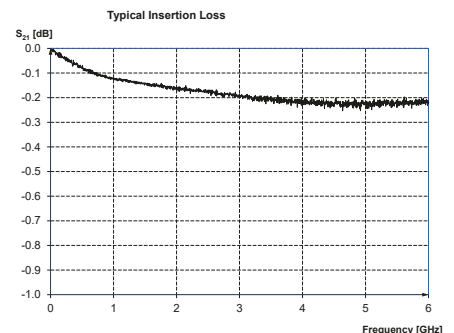
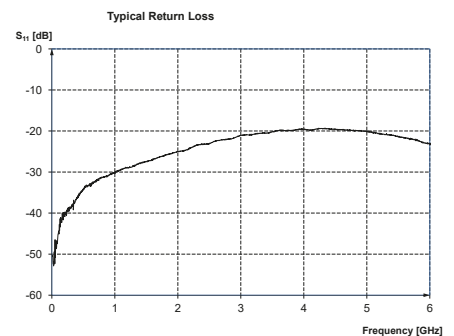
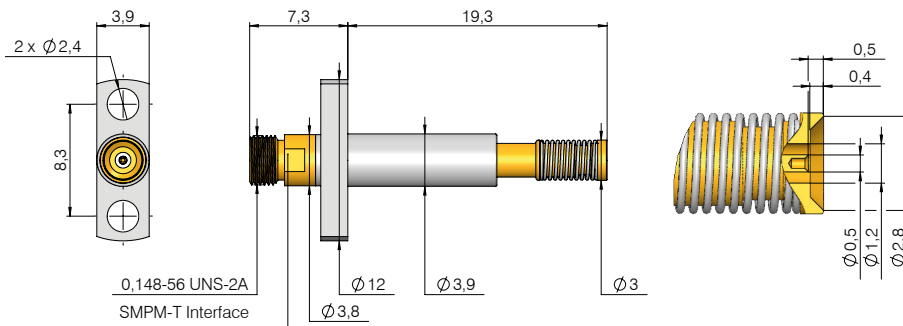
Features

- Compact design with small mounting distance
- Precise mechanical hitting accuracy due to exact guidance and re-positioning with new guiding barrel
- Consistent RF signal transmission, repeating accuracy ensured
- Protected signal (inner) conductor due to protruding ground (outer) conductor
- Long life expectancy due to low-wear internal structural design

Function / Assembly

- Minimal mounting distance
- Miniature SMPM connector as interface to test system, suitable for cable assemblies with SMPM (press-in) and SMPM-T (screw-in) interface
- Installed using two-bore flange

Mounting and functional dimensions



Mechanical data

Outer cond. work. stroke: 4.2 mm (0.165")
Outer cond. max. stroke: 5.2 mm (0.205")
Inner cond. work. stroke: 1.0 mm (0.039")
Inner cond. max. stroke: 1.5 mm (0.059")
Outer cond. spring force: 3.0 N (10.8oz)
Inner cond. spring force: 1.0 N (3.6oz)

Materials

Plunger: BeCu, gold-plated
Barrel: Brass, gold-plated
Spring: Steel
Flange: Brass, nickel-plated

Electrical data

Rated frequency: up to 6GHz (-20dB RL)
Impedance: 50 Ohm

Mounting hole size

Flange barrel: > 3.95 mm (0.156")

Operating temperature

Standard: -40°C up to +80°C
 -40°F up to +176°F

Ordering example

Series	Tip material 2 = Steel 3 = BeCu	Tip style	Tip diameter (1/100 mm)	Plating A = Gold	Spring force (dN)	Collar height (mm)	Special designation
U.FL contact	HFS	852	303	051	A	40	43 UFL-H